

*American
Standard*

COLONY®
ELONGATED 12" ROUGH TOILET
VITREOUS CHINA

COLONY® ELONGATED 12" ROUGH TOILET

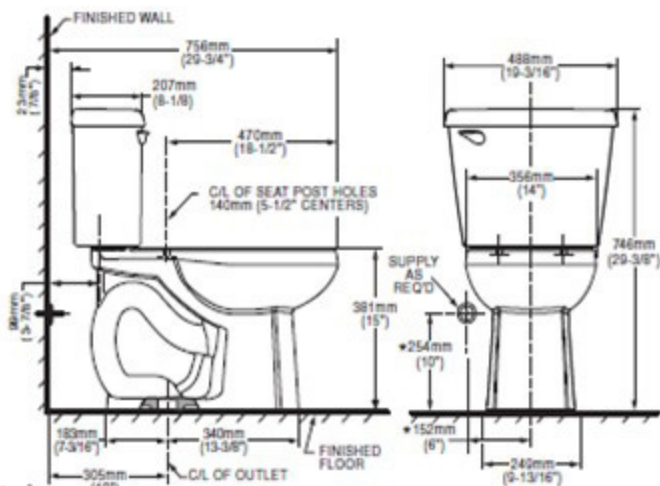
- ❑ **221CA.004**
 - Vitreous china
 - Low consumption (6.0 Lpf/1.6 gpf)
 - PowerWash® rim scrubs bowl with each flush
 - Includes color match bowl caps
 - 2" flush valve
 - 2" trapway
 - 12" (305mm) rough-in
 - Generous 9" x 8" water surface area
 - Color matched trip lever is supplied
 - 2 year warranty
- ❑ **221CA.005** Same as above except with trip lever on right side
- ❑ **3251C.101** Elongated Bowl
- ❑ **4192A.004** Tank



Nominal Dimensions:

756 x 488 x 746mm
(29-3/4" x 19-3/16" x 29-3/8")

Fixture only, seat and supply sold separately



Alternative Tank Configurations Available:

- ❑ **4192A.064** Tank complete with tank cover locking device
- ❑ **4192A.005** Tank complete with trip lever located on right side

Compliance Certifications - Meets or Exceeds the Following Specifications:

- ASME A112.19.2-2008/CSA B45.1-08 for Vitreous China Fixtures

NOTES:

THIS TOILET IS DESIGNED TO ROUGH-IN AT A MINIMUM DIMENSION OF 305MM (12") FROM FINISHED WALL TO C/L OF OUTLET. SUPPLY NOT INCLUDED WITH FIXTURE AND MUST BE ORDERED SEPARATELY. * DIMENSION SHOWN FOR LOCATION OF SUPPLY IS SUGGESTED.

IMPORTANT: Dimensions of fixtures are nominal and may vary within the range of tolerances established by ANSI Standard A112.19.2. These measurements are subject to change or cancellation. No responsibility is assumed for use of superseded or voided pages.

To Be Specified:

- ❑ Color: White Bone Linen
- ❑ Seat: American Standard #5324.019 "Rise and Shine" solid plastic closed front elongated seat with cover
- ❑ Supply with stop:



RESIDENTIAL
MOLDED WOOD TOILET SEAT



MODEL # **COLOR #**

1500EC _____

DESCRIPTION:

Closed front with cover, elongated, molded wood, multi-coat enamel finish toilet seat. Features two color-matched bumpers, color-matched Easy•Clean & Change™ hinges with non-corrosive, top-tightening bolts and wing nuts.

SPECIFICATIONS:

Size: Elongated
Material: Molded Wood
Style: Closed Front with Cover
Bumpers: Two
Hinges: Plastic Easy•Clean & Change™
Fastening System: Non-Corrosive Bolts and Wing Nuts

FEATURES:

Easy•Clean & Change™
Non-Corrosive Bolts and Wing Nuts

DIMENSIONS:



PLASTIC EASY•CLEAN & CHANGE™ HINGES



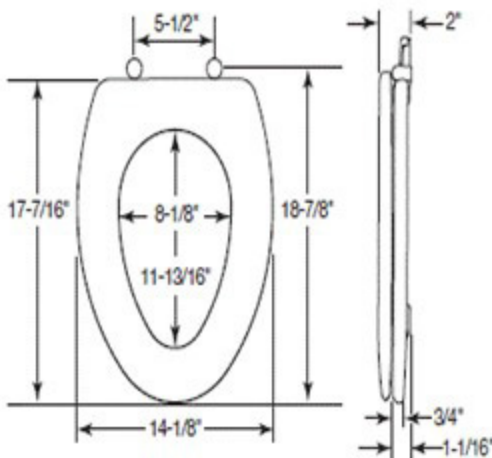
TWIST HINGES TO UNLOCK



EASY REMOVAL OF SEAT FOR THOROUGH CLEANING



NON-CORROSIVE BOLTS AND WING NUTS



Bemis Manufacturing Co., Sheboygan Falls, WI 53085
www.BemisSeats.com

Phone: 920-467-4621 | 800-558-7651 Fax: 920-467-8573

*Colors may vary due to printer quality.

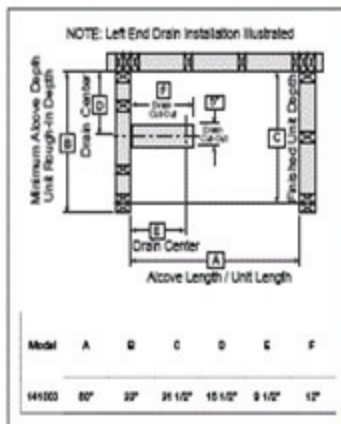
Standard Tub/Shower Unit

TECHNICAL SPECIFICATIONS

CM-60

MODEL NUMBER 141000

DIMENSIONS: 60" x 31 1/2" x 72" Fiberglass



STANDARD FEATURES

- One-piece gelcoated fiberglass tub-shower
- Built-in back wall shelves with integrated soap dish
- Right or left-hand drain
- Standard clear acrylic bar with optional metallic finish
- Textured floor
- Optional unique features: Above-the-Floor Rough and reinforced walls
- 13 3/4" deep sump
- Bottom bathing well : 46" L x 19 1/4" W

UNIQUE FEATURES

- Above-the-floor rough (AFR)

OPTIONS

- Wall reinforcement (three walls)
- Back Wall reinforcement
- Left Wall reinforcement
- Right wall reinforcement
- Brushed Nickel grab bar (replacing acrylic bar)
- Chrome grab bar (replacing acrylic bar)

SYSTEMS

- None

DOOR SELECTION

Combine with MAAX's complete shower door offering visit

www.maax.com

CERTIFICATIONS

AKER products adhere to one or more of the following certifications:



Project : _____
 Contractor : _____
 AKER Representative : _____ Tel : _____
 Date : _____

www.akerbymaax.com

2013-01-30

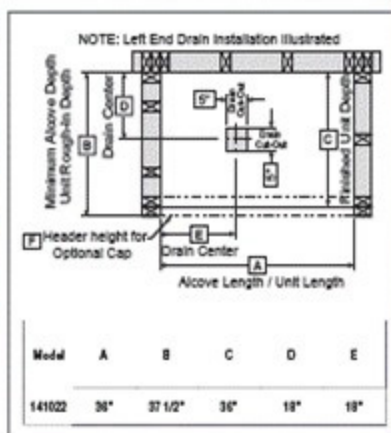
Standard 36" Shower Unit

TECHNICAL SPECIFICATIONS

S-36

MODEL NUMBER 141022

DIMENSIONS: 36" x 36" x 72" Fiberglass



STANDARD FEATURES

- One-piece gelcoated fiberglass shower with optional roofcap
- Built-in corner shelves
- Center drain
- Textured floor
- Optional unique features:
Above-the-Floor Rough and reinforced walls

UNIQUE FEATURES

- Above-the-floor rough (AFR)

OPTIONS

- Light for roofcap (factory-drilled hole)
- Wall reinforcement (three walls)
- Back Wall reinforcement
- Left Wall reinforcement
- Right wall reinforcement
- Lifter for PivoloK Doors

SYSTEMS

- None

DOOR SELECTION

Combine with MAAX's complete shower door offering visit www.maax.com

CERTIFICATIONS

AKER products adhere to one or more of the following certifications:



Project : _____
 Contractor : _____
 AKER Representative : _____ Tel : _____
 Date : _____

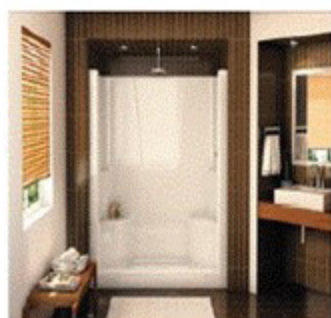
Standard 48" Shower Unit

TECHNICAL SPECIFICATIONS

S-48

MODEL NUMBER 141027

DIMENSIONS: 48" x 36" x 75" Fiberglass



STANDARD FEATURES

- One-piece gelcoated fiberglass shower with optional roofcap
- Built-in corner shelves
- Twin seats
- Center drain
- Textured floor

UNIQUE FEATURES

- None

OPTIONS

- Light for roofcap (factory-drilled hole)

SYSTEMS

- None

DOOR SELECTION

Combine with MAAX's complete shower door offering visit www.maax.com

Project : _____
 Contractor : _____
 AKER Representative : _____ Tel : _____
 Date : _____

CERTIFICATIONS

AKER products adhere to one or more of the following certifications:



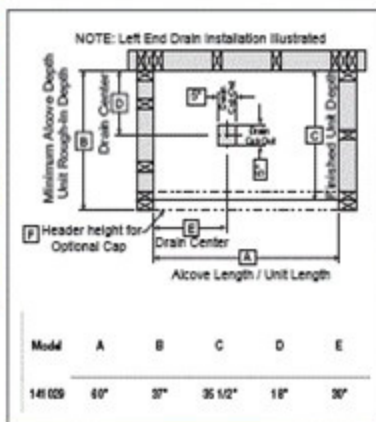
Standard 60" Shower Unit

TECHNICAL SPECIFICATIONS

S-60

MODEL NUMBER 141029

DIMENSIONS: 60" x 35 1/2" x 74 1/2" Fiberglass



STANDARD FEATURES

- One-piece gelcoated fiberglass shower with optional roofcap
- Built-in corner shelves
- Twin seats
- Center drain
- Textured floor

UNIQUE FEATURES

- None

OPTIONS

- Light for roofcap (factory-drilled hole)

SYSTEMS

- None

DOOR SELECTION

Combine with MAAx's complete shower door offering visit www.maax.com

Project : _____
 Contractor : _____
 AKER Representative : _____ Tel : _____
 Date : _____

CERTIFICATIONS

AKER products adhere to one or more of the following certifications:



T675.502.295 Satin Nickel Standard Tub/Shower Trim Kit

T675.501.295 Satin Nickel Shower Only Trim Kit

American Standard

Style That Works Better

COLONY® SOFT

PRESSURE BALANCE BATH/SHOWER FITTING



T675.502 Bath/Shower Trim Shown

MODEL NUMBER:

TRIM KITS:

- T675.502 Colony Soft BATH/SHOWER Trim Kit
Metal Lever Handle. LESS Valve Body.
- T675.501 Colony Soft SHOWER ONLY Trim Kit
Metal Lever Handle. LESS Valve Body.
- T675.500 Colony Soft VALVE ONLY Trim Kit
Metal Lever Handle. LESS Valve Body.

ROUGH VALVES:

- R120 Pressure Balance Rough Valve Body only
Direct sweat inlets/outlets. LESS trim.
- R120SS Pressure Balance Rough Valve Body only with
Screwdriver stops
Direct sweat inlets/outlets. Screwdriver stops. LESS trim.
- R125 Pressure Balance Rough Valve Body only
Female thread inlets/outlets. LESS trim.
- R125SS Pressure Balance Rough Valve Body only with
Screwdriver stops
Female thread inlets/outlets. Screwdriver stops. LESS trim.
- R127 Pressure Balance Rough Valve Body only
PEX inlets/Direct sweat outlets. LESS trim.
- R127SS Pressure Balance Rough Valve Body only with
Screwdriver stops
PEX inlets/Direct sweat outlets. Screwdriver stops. LESS trim.

GENERAL DESCRIPTION:

TRIM KIT

Single function showerhead at maximum 2.5gpm/9.5L/min. flow rate. Metal slip-on diverter spout. Available with metal lever handle. Metal wall escutcheon.

ROUGH VALVE BODY

Cast brass body, washerless 47mm ceramic disc valve cartridge with volume and temperature control, and hot limit safety stop. Pressure balancing cartridge maintains constant output temperature in response to changes in relative hot

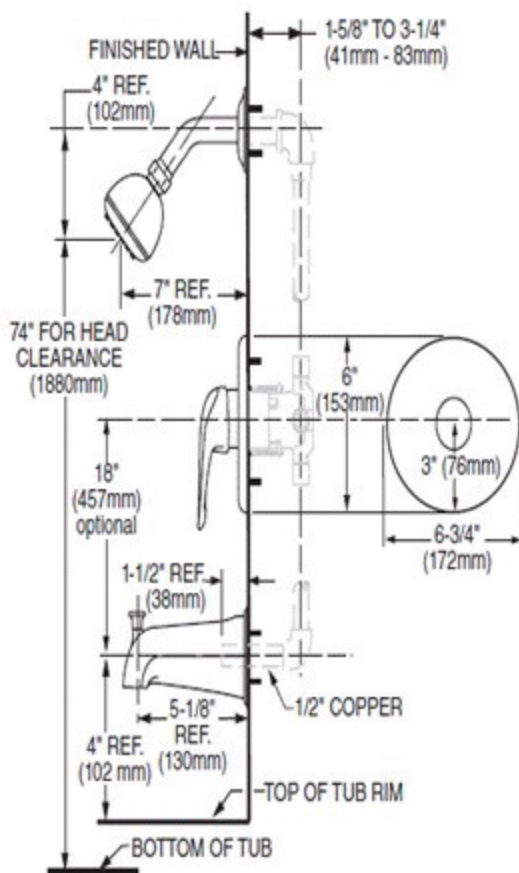
Rough in Valve Body

American Standard

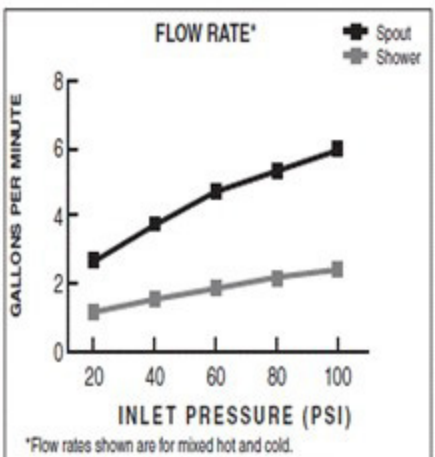
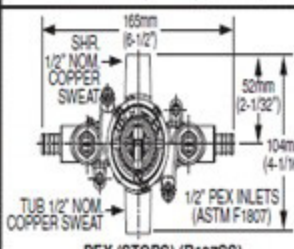
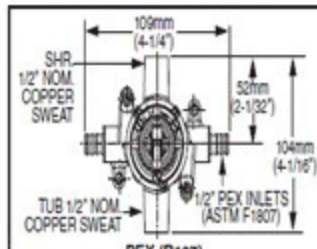
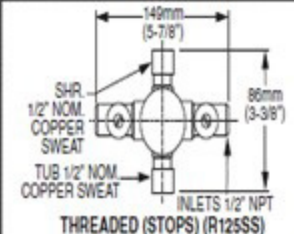
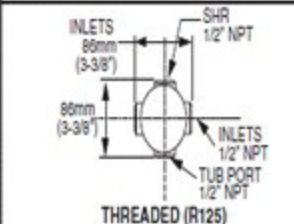
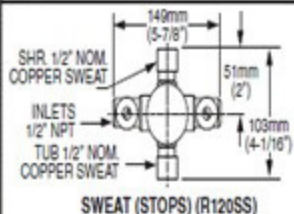
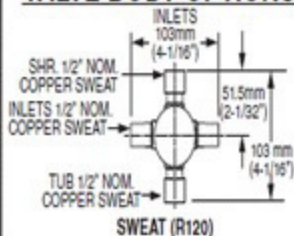
Style That Works Better

COLONY® SOFT

PRESSURE BALANCE BATH/SOWER FITTING



VALVE BODY OPTIONS



CODES AND STANDARDS

These products meet or exceed the following codes and standards:

- ANSI A 117.1
- ASSE 1016
- ASME A112.18.1
- CSA B 125



Meets the American Disabilities Act Guidelines and ANSI A117.1 Requirements for the physically challenged.

Entry level T975.500.295 Satin Nickel Tub Filler


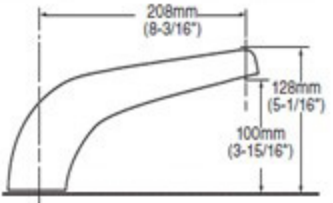

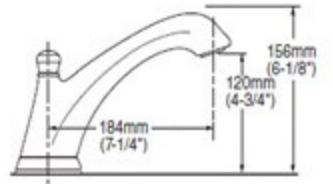

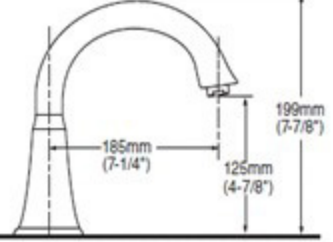

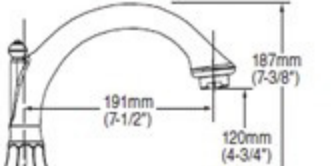
Upgrade Princeton T508.900.224 Oil Rubbed Bronze Tub Filler

American Standard

Style That Works Better

**UPGRADABLE
DECK-MOUNT TUB FILLER**

TRIM KITS FOR R800 Rough Valve Bodies

Trim Kit	Model No. Description	Finishes	Roughing-In Dimensions
<p>T975.500</p>  <p>COLONY SOFT TRIM KIT</p> <ul style="list-style-type: none"> • Cast Brass slip-fit spout • Lever Handles • LESS Valve 	<p>.002 Polished Chrome .295 Satin Nickel (PVD)</p>		
<p>T508.900</p>  <p>PRINCETON TRIM KIT</p> <ul style="list-style-type: none"> • Cast Brass slip-fit spout • Metal Lever Handles • LESS Valve 	<p>.002 Polished Chrome .295 Satin Nickel (PVD)</p>		
<p>T038.900</p>  <p>TROPIC TRIM KIT</p> <ul style="list-style-type: none"> • Cast Brass slip-fit spout • Metal Lever Handles • LESS Valve 	<p>.002 Polished Chrome .295 Satin Nickel (PVD)</p>		
<p>T028.900</p>  <p>DAZZLE TRIM KIT</p> <ul style="list-style-type: none"> • Cast brass slip-fit spout • Metal Lever Handles • LESS Valve 	<p>.002 Polished Chrome .295 Satin Nickel (PVD)</p>		

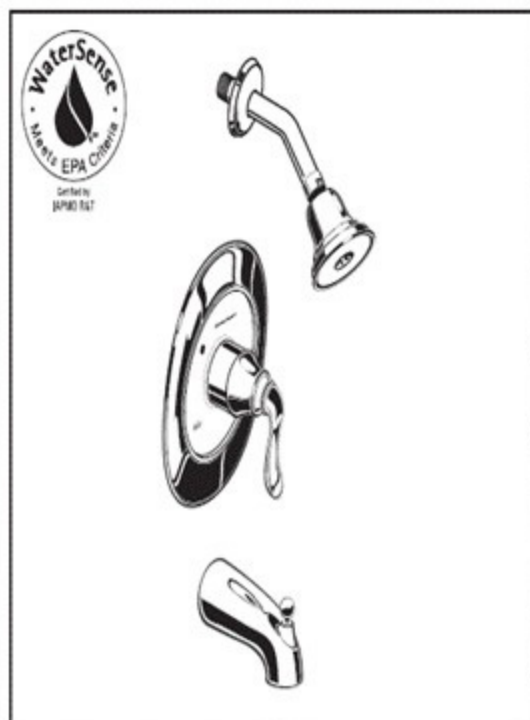
UPGRADE

T508.508.224 Oil Rubbed Bronze Tub/ Shower Trim Kit
T675.507.224 Oil Rubbed Bronze Shower Only Trim Kit
American Standard

Style That Works Better

PRINCETON®
PRESSURE BALANCE BATH/SHOWER FITTING

WITH FloWise® SHOWERHEAD



T508.508 Bath/Shower Trim Shown

GENERAL DESCRIPTION:
TRIM KIT

FloWise® water saving single function showerhead offers 40% savings at maximum 1.5gpm/5.7L/min. flow rate. Metal slip-on diverter spout. Available with metal lever handle. Available in Bath/Shower and Shower Only combinations.

ROUGH VALVE BODY

Cast brass body, washerless 47mm ceramic disc valve cartridge with volume and temperature control, and hot limit safety stop. Pressure balancing cartridge maintains constant output temperature in response to changes in relative hot and cold supply pressure. One half inch inlets and outlets.

MODEL NUMBER:
TRIM KITS:

- ☐ T508.508 Princeton BATH/SHOWER Trim Kit
Metal Lever Handle. FloWise® showerhead. LESS Valve Body.
- ☐ T508.507 Princeton Soft SHOWER ONLY Trim Kit
Metal Lever Handle. FloWise® showerhead. LESS Valve Body.

ROUGH VALVES:

- ☐ R120 Pressure Balance Rough Valve Body only
Direct sweat inlets/outlets. LESS trim.
- ☐ R120SS Pressure Balance Rough Valve Body only
with Screwdriver stops
Direct sweat inlets/outlets. Screwdriver stops. LESS trim.
- ☐ R125 Pressure Balance Rough Valve Body only
Female thread inlets/outlets. LESS trim.
- ☐ R125SS Pressure Balance Rough Valve Body only
with Screwdriver stops
Female thread inlets/outlets. Screwdriver stops. LESS trim.
- ☐ R127 Pressure Balance Rough Valve Body only
PEX inlets/Direct sweat outlets. LESS trim.
- ☐ R127SS Pressure Balance Rough Valve Body only
with Screwdriver stops
PEX inlets/Direct sweat outlets. Screwdriver stops. LESS trim.

PRODUCT FEATURES:
Flowise Water Saving Showerhead: Saves 40% in water

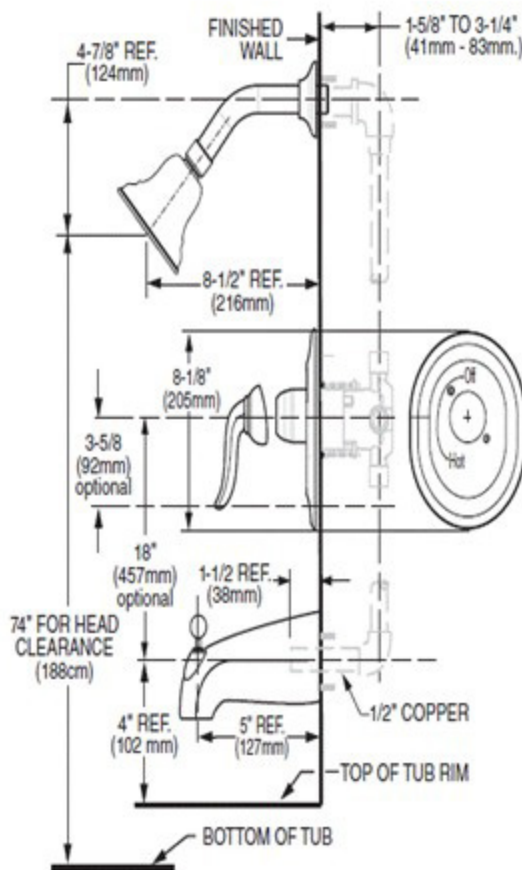
Rough in Value

American Standard

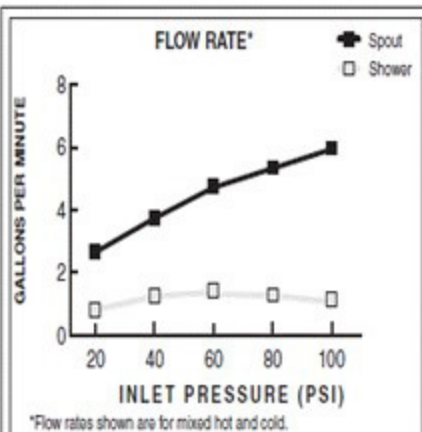
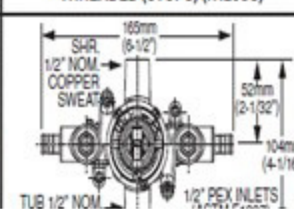
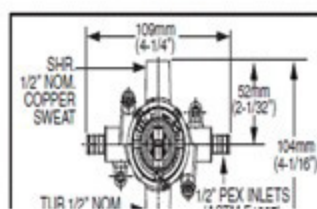
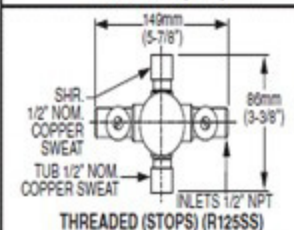
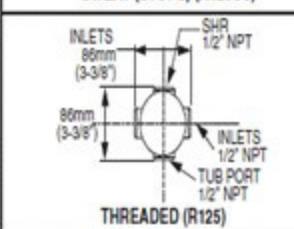
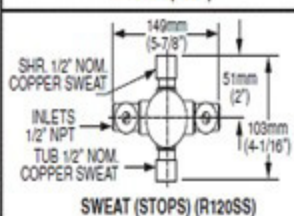
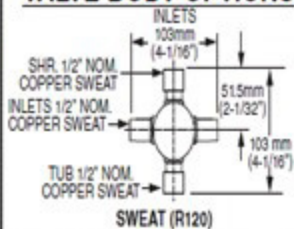
Style That Works Better

PRINCETON®

**PRESSURE BALANCE BATH/SHOWER FITTING
WITH FloWise® SHOWERHEAD**



VALVE BODY OPTIONS



CODES AND STANDARDS

These products meet or exceed the following codes and standards:

- ANSI A 117.1
- ASSE 1016
- ASME A112.18.1
- CSA B 125



• Showerhead with 1.5gpm/5.7L/min. flow restrictor.



Meets the American Disabilities Act Guidelines and ANSI A117.1 Requirements for the

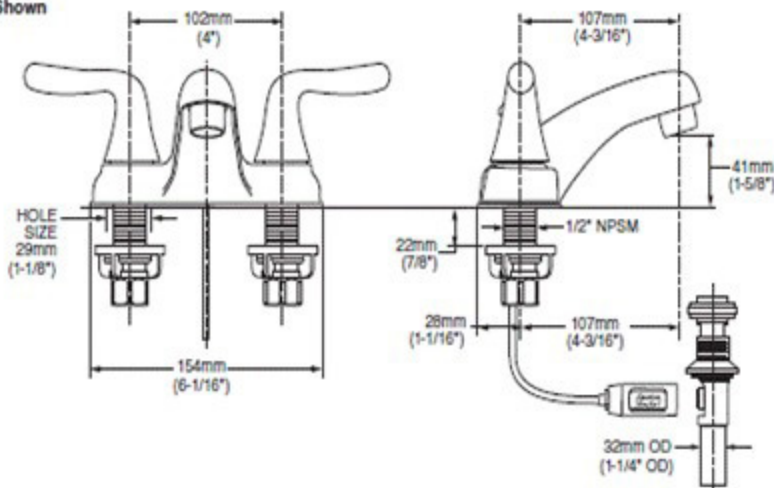
Standard 2275.503.295 Satin Nickel Vanity Faucet

American Standard
 Style That Works Better

COLONY® SOFT
 TWO-HANDLE CENTERSET LAVATORY FAUCET



2275.503 Shown



MODEL NUMBER:

- 2275.503 Colony Soft 2 Handle Centerset
 Lever Handles. Non-metallic Speed Connect®
 Pop-up drain.
- 2275.509 Colony Soft 2 Handle Centerset
 Lever Handles. Metal Speed Connect Pop-up drain.

GENERAL DESCRIPTION:

Centerset lavatory faucet on 4" centers. 1/4 turn washerless ceramic disc valve cartridges. Durable cast brass waterways with one-half inch male inlet shanks. Metal body. Color matched underbody. Lever handles. 20" (500mm) long flexible stainless steel drain cable is pre-assembled to faucet body. Metal Speed Connect® drain body with 1-1/4 inch (32mm) tail piece, (2275.509). Non-Metallic Speed Connect drain body with 1-1/4 inch (32mm) tail piece, (2275.503). 1.5 gpm/5.7L/min. maximum flow rate.

PRODUCT FEATURES:

Cast Brass Waterways with "City Shanks": Strong and durable. Integral tabs on casting provide a wobble-free installation.

Ceramic Disc Valve Cartridges: Assures a lifetime of drip-free performance.

Lead Free: Faucet contains ≤ 0.25% total lead content by weighted average.

Longer Spout: Provides extended reach into lavatory.

Exclusive Speed Connect Metal Drain:

- Fewer parts. Installs in less time.
- No adjustments required - seals the first time, every time.
- Flexible stainless steel cable - installs effortlessly in tight spaces.

Simple Installation: Fast and easy one person installation. Faucet drops in from top. Quick spin nuts secure faucet in place.

SUGGESTED SPECIFICATION:

Two-handle 4" centerset lavatory faucet shall feature a cast brass waterway. Shall also feature 1/4 turn washerless ceramic disc valve cartridges. Shall also feature a drain body with stainless steel cable actuation. Fitting shall be American Standard Model # 2275._____

Upgrade 4508.201.224 Oil Rubbed Bronze Vanity Faucet

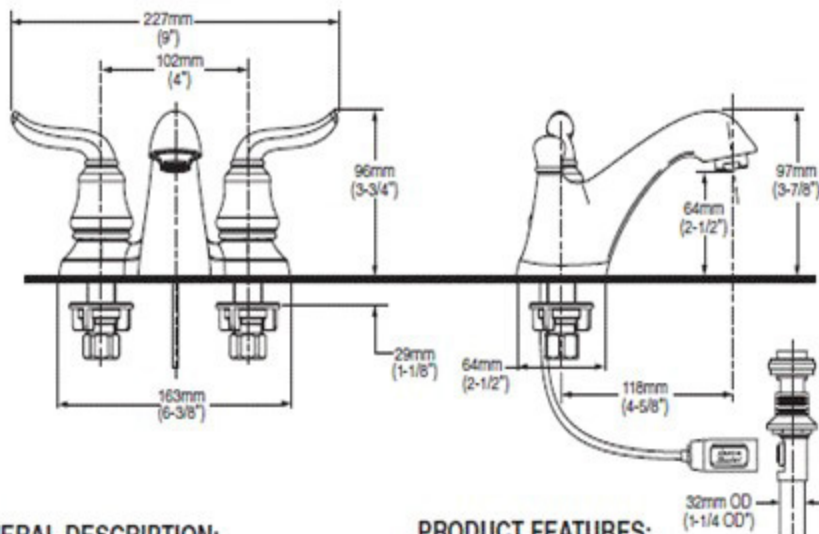
American Standard
 Style That Works Better

PRINCETON®
TWO-HANDLE CENTERSET LAVATORY FAUCET



MODEL NUMBER:

- 4508.201 Princeton 2 Handle Centerset
 Metal Speed Connect® Pop-up drain.
 Metal Lever handles.



GENERAL DESCRIPTION:

Centerset lavatory faucet on 4" centers. 1/4 turn washerless ceramic disc valve cartridges. Durable cast brass waterways with one-half inch male inlet shanks. Metal body. Color matched underbody. Metal lever handles. 20 inch (500mm) long flexible stainless steel drain cable is pre-assembled to faucet body. Metal Speed Connect® drain body with 1-1/4 inch (32mm) tail piece. 1.5 gpm/5.7L/min. maximum flow rate.

PRODUCT FEATURES:

Ceramic Disc Valve Cartridges: Assures a lifetime of drip-free performance.

Cast Brass Waterways with "City Shanks": Strong and durable. Integral tabs on casting provide a wobble-free installation.

Lead Free: Faucet contains 0.25% total lead content by weighted average.

Exclusive Speed Connect Metal Drain:

- Fewer Parts - installs in less time.
- No adjustments required - seals the first time, every time.
- Flexible stainless steel cable - installs effortlessly in tight spaces.

Longer Spout: Provides extended reach into lavatory.

Choice of Finishes: Wide range of durable finishes.

SUGGESTED SPECIFICATION:

Two-handle 4" centerset lavatory faucet shall feature a cast brass waterway with 1/2" male inlet shanks. Shall also feature 1/4 turn washerless ceramic disc valve cartridges. Shall also feature a metal drain body with stainless steel cable actuation. Fitting shall be American Standard Model # 4508.201._____

Mason YB8009SN Standard Satin Nickel Paper Holder



Mason YB8000SN Standard Satin Nickel Paper Holder



Mason YB8086SN Standard Satin Nickel Towel Ring



Mason YB8094SN Standard Satin Nickel Towel Bar

