

Standard 4275.501.075 Satin Nickel Kitchen Faucet

American Standard
 Style That Works Better

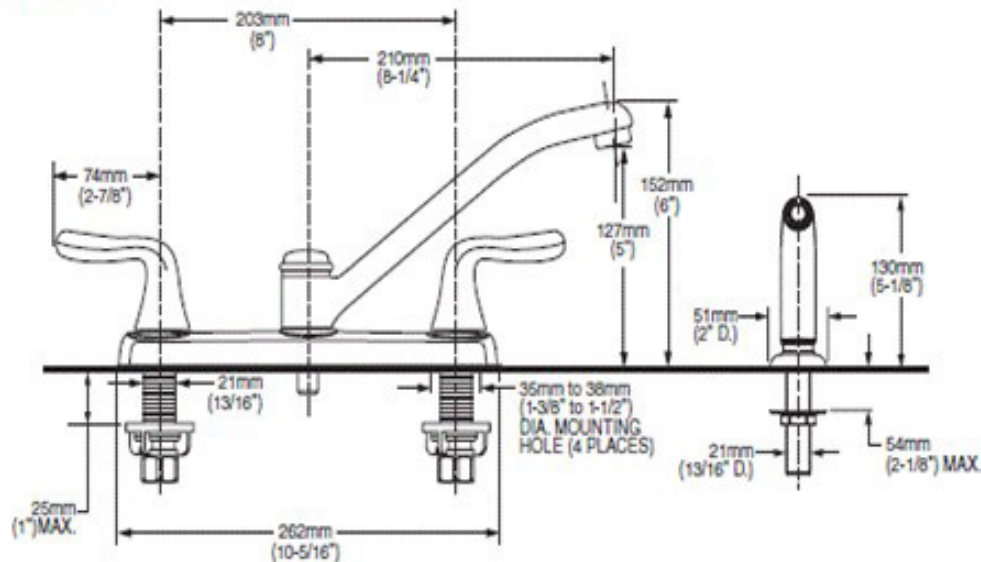
COLONY SOFT
 TWO-HANDLE KITCHEN FAUCET



4275.501 Shown

MODEL NUMBER:

- 4275.500 Kitchen Faucet
Lever Handles. Less Handspray.
- 4275.500.F15 Kitchen Faucet
Same as above. 1.5gpm flow rate.
- 4275.501 Kitchen Faucet
Lever Handles. Separate Color-Matched Handspray.
- 4275.501.F15 Kitchen Faucet
Same as above. 1.5gpm flow rate.



GENERAL DESCRIPTION:

Durable brass construction. 1/4 turn washerless ceramic disc valve cartridges. Durable cast brass waterway with 1/2" male inlet shanks. 8-1/4 (210mm) long cast brass swivel spout. Lever handles. Metal escutcheon plate (escutcheon size 10-5/16" L x 2-3/8" W). 2.2gpm/8.3L/min. maximum flow rate, 1.5gpm/5.7 L/min. maximum flow rate for F15 models.

PRODUCT FEATURES:

Ceramic Disc Valve Cartridges: Assures a lifetime of drip-free performance.

Cast Brass Waterways with "City Shanks": Strong and durable. Integral tabs on casting provide a wobble-free installation.

Lead Free: Faucet contains $\leq 0.25\%$ total lead content by weighted average.

Simple Installation: Fast and easy one person installation. Faucet drops in from top. Quick spin nuts secure faucet in place.

SUGGESTED SPECIFICATION:

Two handle kitchen faucet shall feature brass construction with brass inlet shanks and coupling nuts. Brass swivel spout. Shall also feature 1/4 turn washerless ceramic disc valve cartridges that are reversible for use on either "hot" or "cold" side. Fitting shall be American Standard Model # 4275.5_____.

Upgrade 4771.732.224 Oil Rubbed Bronze Kitchen Faucet

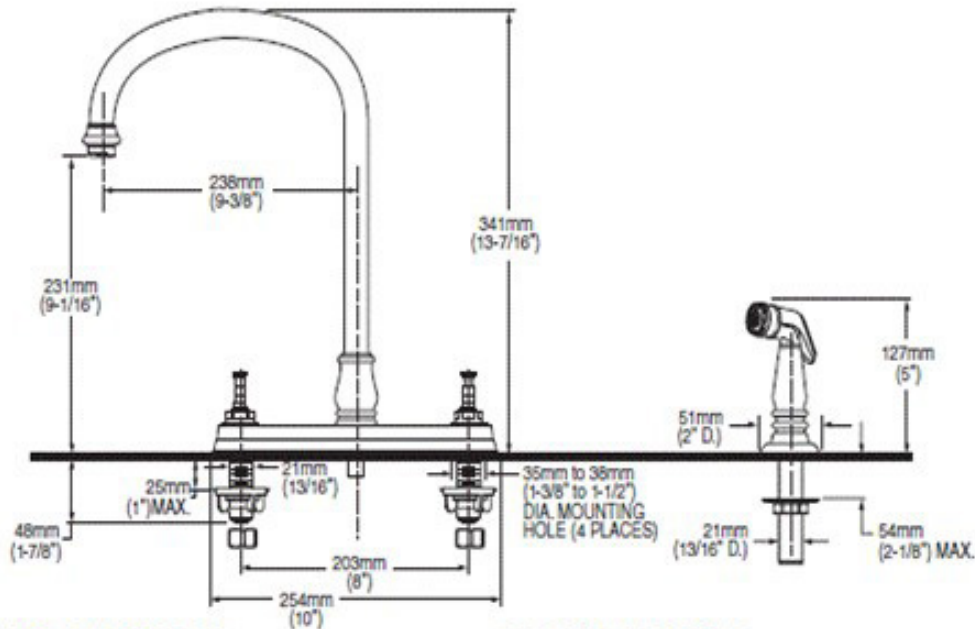
American Standard
Style That Works Better

HAMPTON
TWO-HANDLE TOP-MOUNT KITCHEN FAUCET
WITH BRASS GOOSENECK SPOUT



MODEL NUMBER:

☐ **4771.732 Top-Mount Kitchen Faucet**
Color-matched Handspray. Metal lever handles. 



GENERAL DESCRIPTION:

Durable brass construction. 1/4 turn washerless ceramic disc valve cartridges. Brass 22mm (7/8") diameter swivel spout. Metal escutcheon plate (escutcheon size 10"L x 2-3/8"W). Color-matched hand spray. One-half inch male inlet shanks with brass coupling nuts. 2.2 gpm/8.3 L/min. maximum flow rate.

PRODUCT FEATURES:

Ceramic Disc Valve Cartridges: Assures a lifetime of drip-free performance.

Brass Construction and Cast Brass Waterway: Durable - Excellent in high use applications. Ideal for prolonged contact with water.

Larger Spout: Increased spout height, reach and diameter.

Lead Free: Faucet contains ≤ 0.25% total lead content by weighted average.

Choice of Finishes: Available in a wide range of durable finishes.

SUGGESTED SPECIFICATION:

Two handle top-mount kitchen faucet shall feature brass construction with all brass inlet shanks and coupling nuts. Brass swivel spout. Shall also feature 1/4 turn washerless ceramic disc valve cartridges. Faucet shall be American Standard Model # 4771.732._____